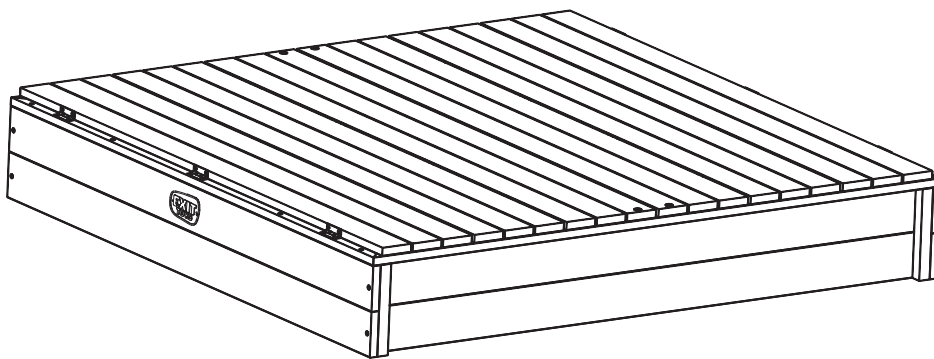


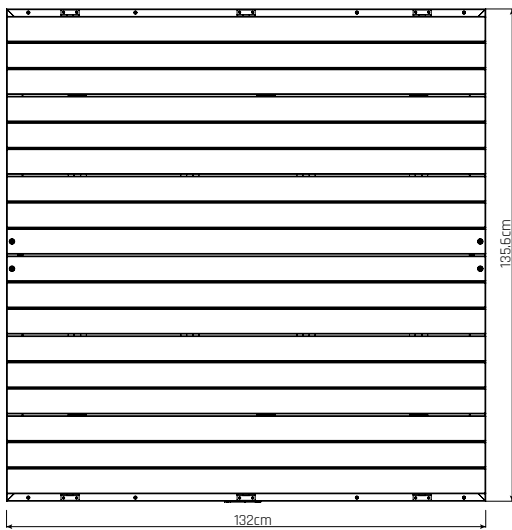
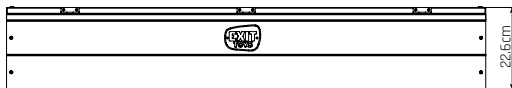
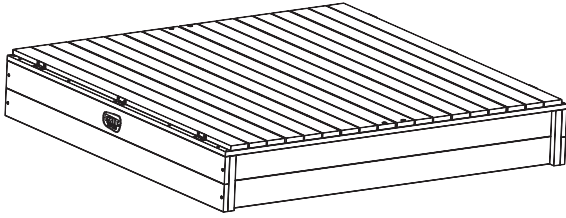


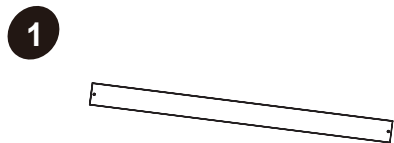
# Aksent

EXIT Aksent Sandpit 136x132



## EXIT Aksent sandpit 136x132

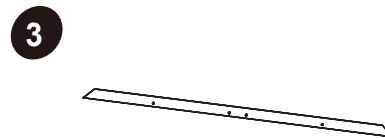




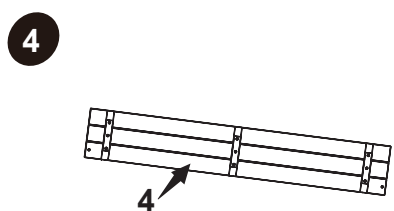
62.23.01.05 | 7X



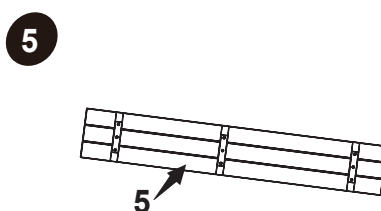
62.11.21.05 | 2X



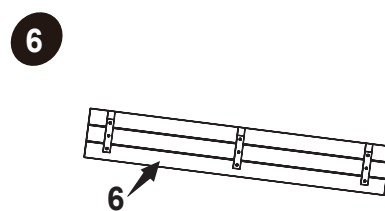
62.11.22.05 | 2X



62.05.03.05 | 2X\*



62.05.02.05 | 2X



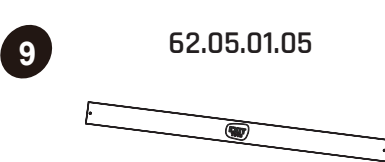
62.05.01.05 | 2X



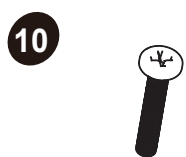
62.23.02.05 | 4X



62.05.08.05 | 20X



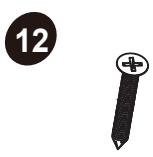
62.23.05.05 | 1X



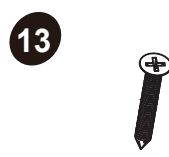
M6x30 | 4X



Ø4x40 | 36X



Ø3.5x15 | 48X



Ø3.5x25 | 32X



Tool | 2X

62.99.02.00 | 1X

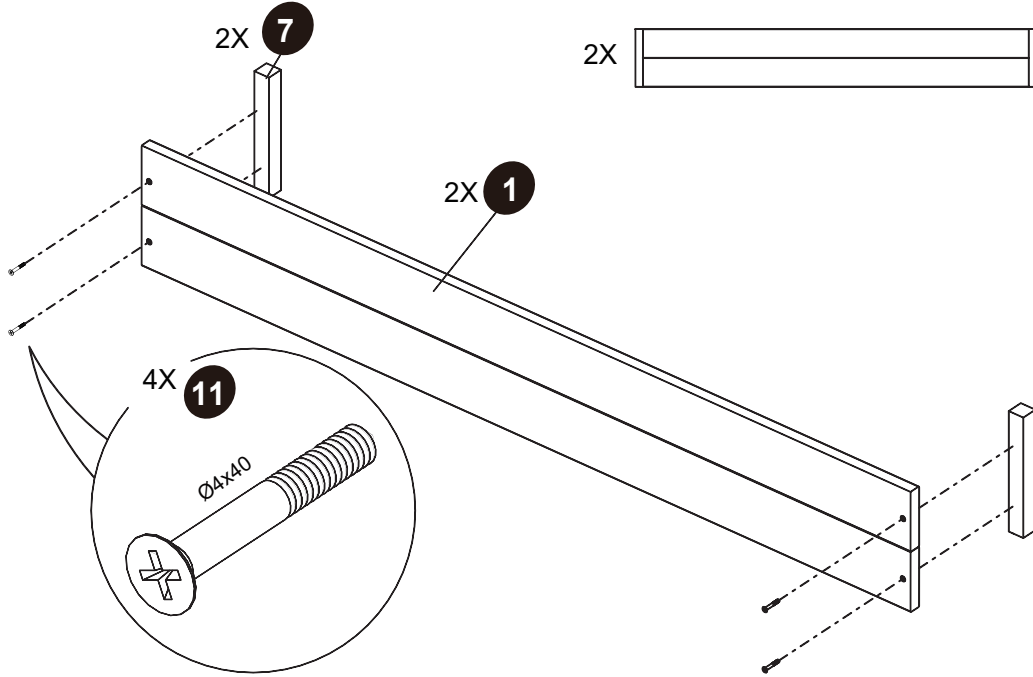


\*

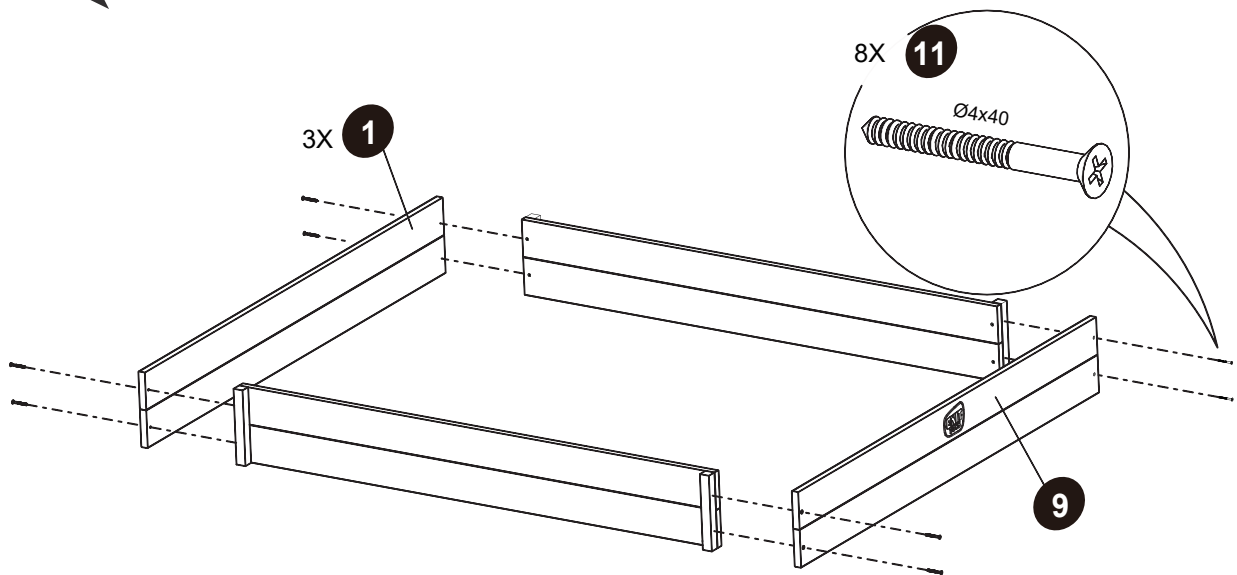
BOX REFERENCE:	XX.XX
PRODUCTION ID:	XXX XXX



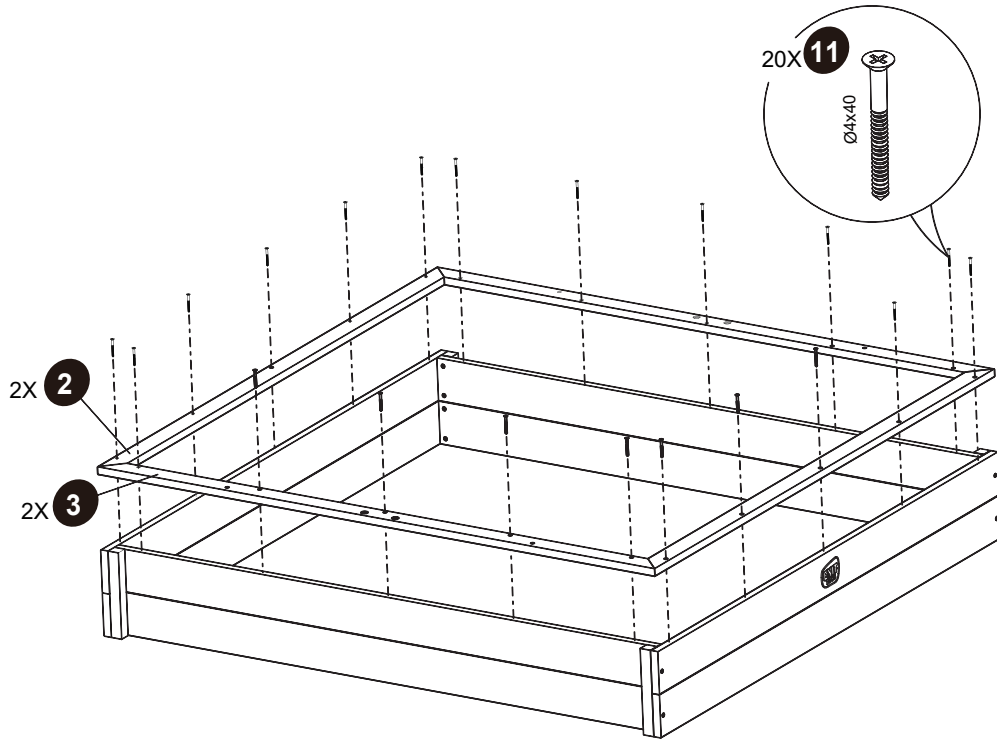
**1**



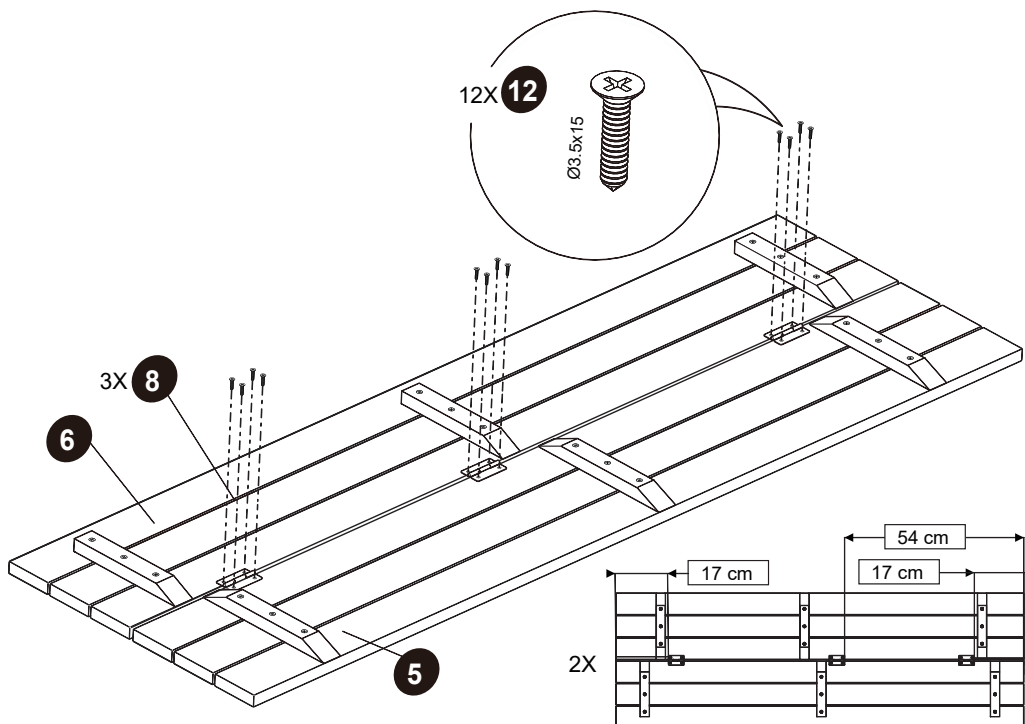
**2**



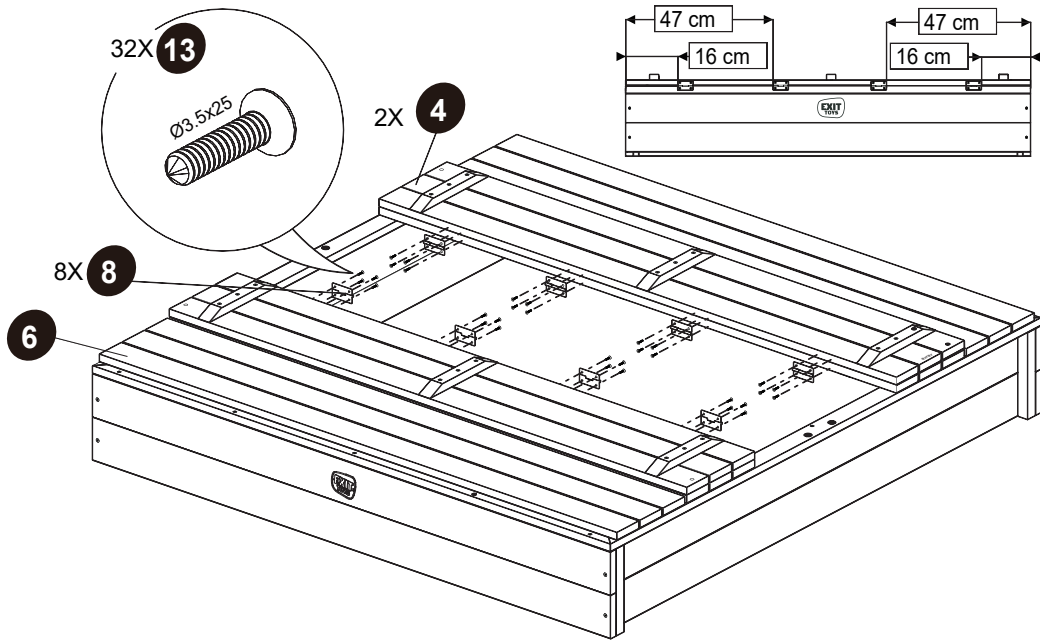
3



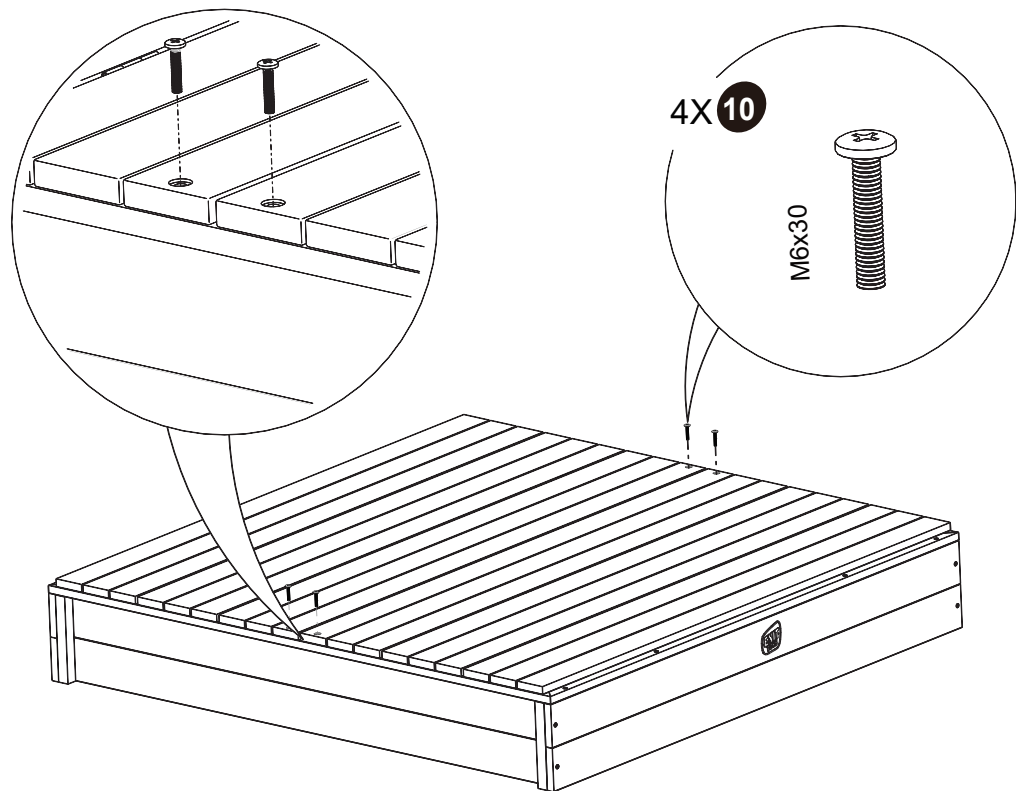
4



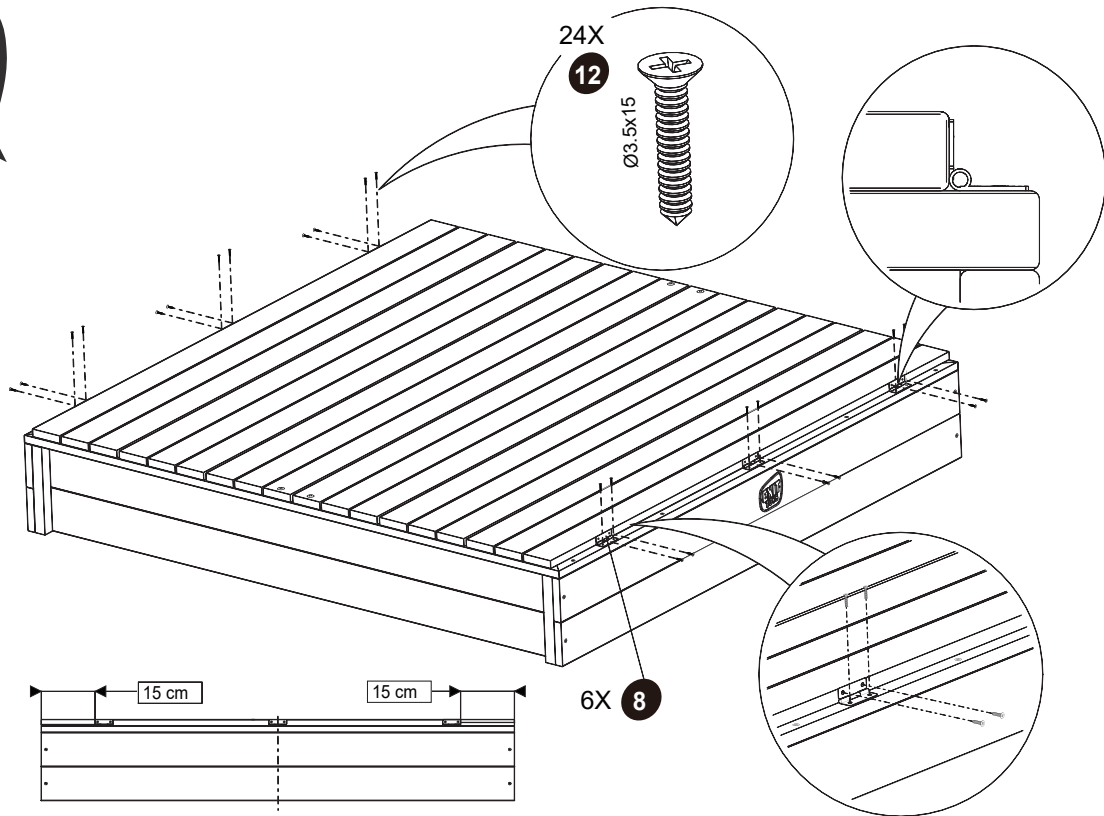
**5**



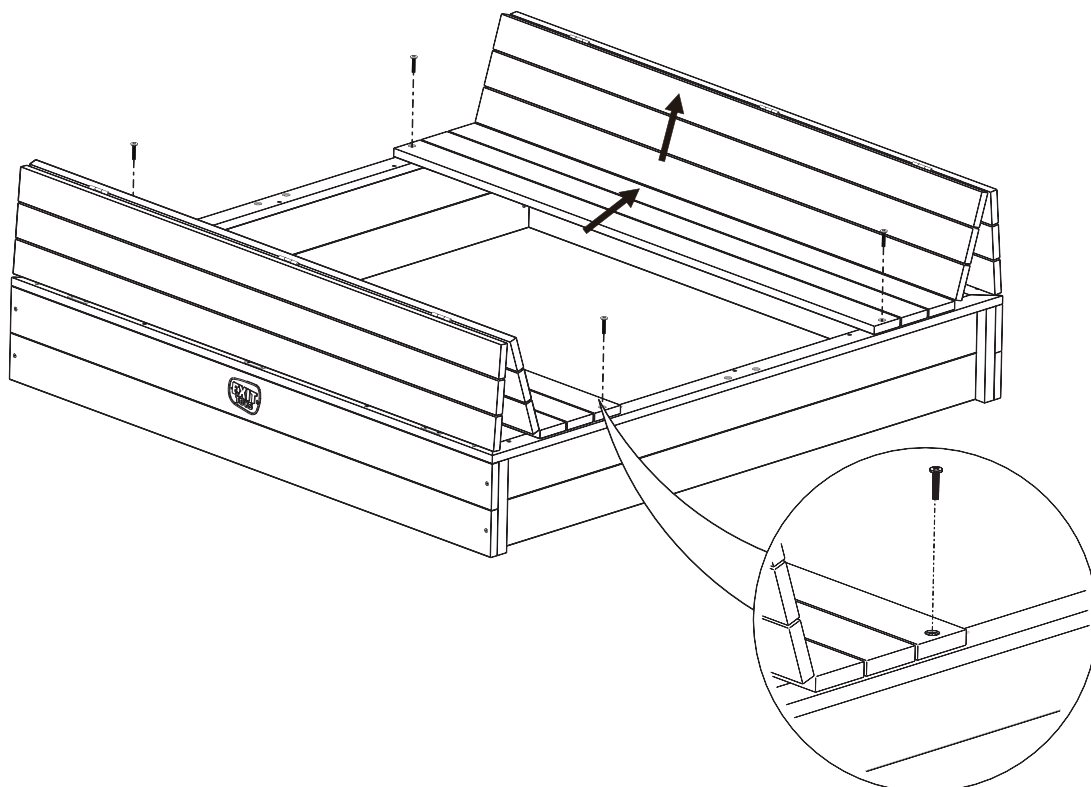
**6**



7



8





[www.exittoys.com](http://www.exittoys.com)



**Contact Information:**

Dutch Toys Group B.V.  
Edisonstraat 83  
7006 RB Doetinchem, The Netherlands

[info@exittoys.com](mailto:info@exittoys.com)  
[www.exittoys.com](http://www.exittoys.com)

EXIT Toys is part of:

**SIMBA · DICKIE · GROUP**

EXIT Toys is a registered trade mark of Dutch Toys Group